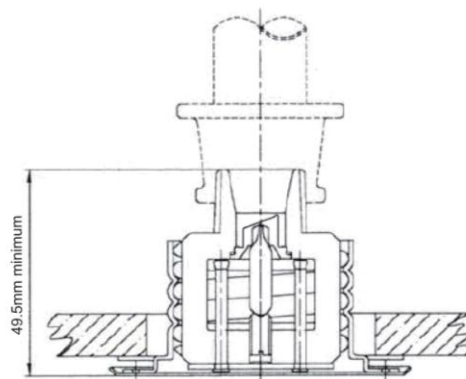
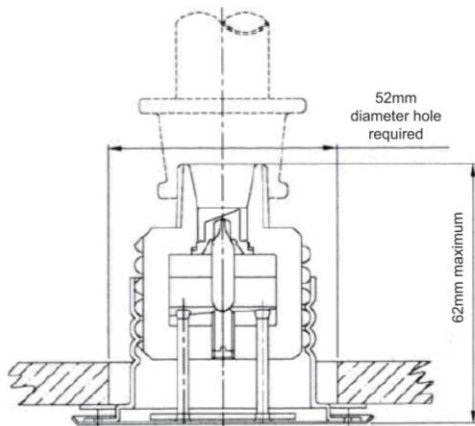
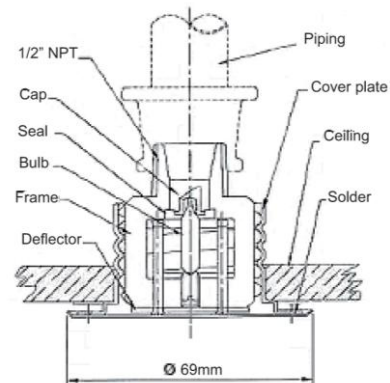


HIDDEN PENDENT SPRINKLERS

UL



DESCRIPTION:

Available in quick and standard response.
The operating device is a state of the art, heat responsive frangible glass bulb.
Standard Finishes: White painted or Chrome and Bright brass plated

Technical Details

Orifice size: 1/2" (15mm)
K factor: 5.6 Imp. (80 S.I.)
Thread size: 1/2" NPT
Max. Working Pressure: 175psi (12bar)
Hydrostatic test: 100% at 500psi (34.5 bar)
Min. Operating Pressure: 7psi (0.48 bar)
Temperature Rating: 155°F (68°C) & 200°F (93°C)
Bulb Nominal Ø: 0.5 mm (3.0 mm)

