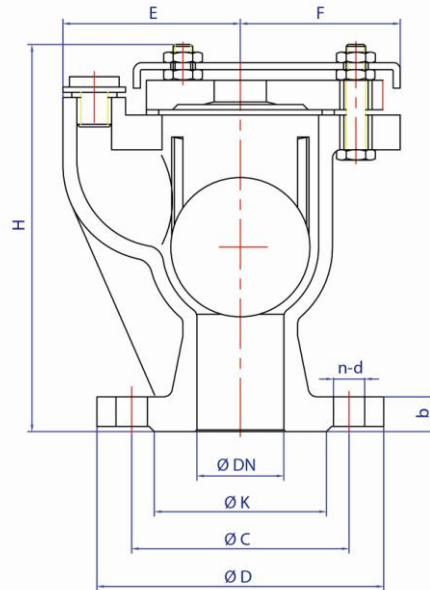


SINGLE LARGE ORIFICE TYPE B AIR VALVE VF-018



STANDARD MATERIAL – MAIN PARTS

ITEM	PART NAME	MATERIAL
1	BODY	CAST IRON
2	FLOAT BALL	NBR
3	COVER	CAST IRON
4	PLATE	CAST IRON
5	GASKET	RUBBER
6	PLUG	BRASS

SPECIFICATIONS

STANDARD		JKR 20709 – 0331 - 94
WORKING PRESSURE		1.6
TEST PRESSURE	BODY	2.4
	SEAT	1.76
RESEAT PRESSURE		1.6 ~ 0.35

DN	BS4504 - PN16					H	E	F
	D	C	K	b	n-d			
50	165	125	99	20	4-Ø19	215	115	92
100	220	180	156	24	8-Ø19	285	145	120
150	285	240	211	26	8-Ø23	385	190	150
200	340	295	266	30	12-Ø23	500	205	185

